

# Wysięgnyk elewacyjny do pracy w zawieszeniu



Dystrybutor: **Alpinex**

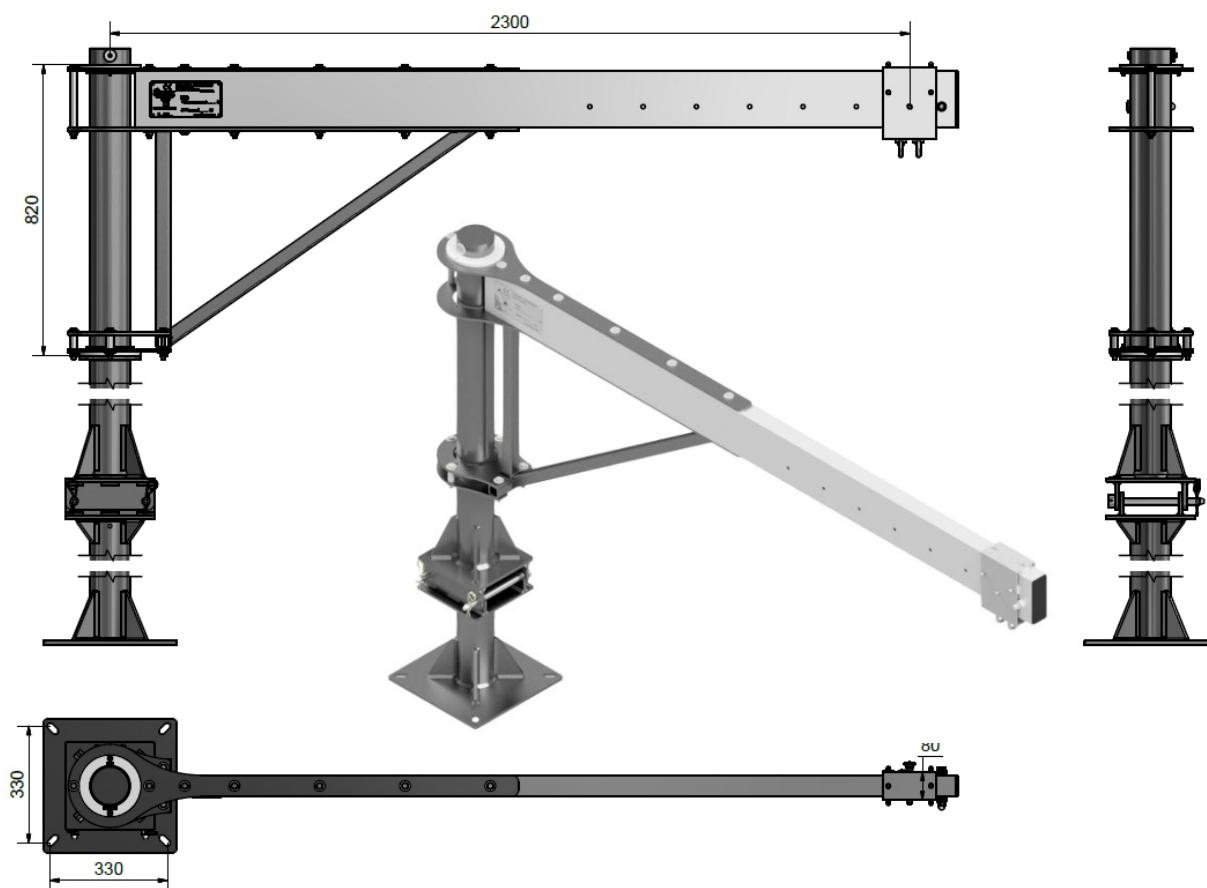


Fig. 3 Range 2300mm fixed on ground

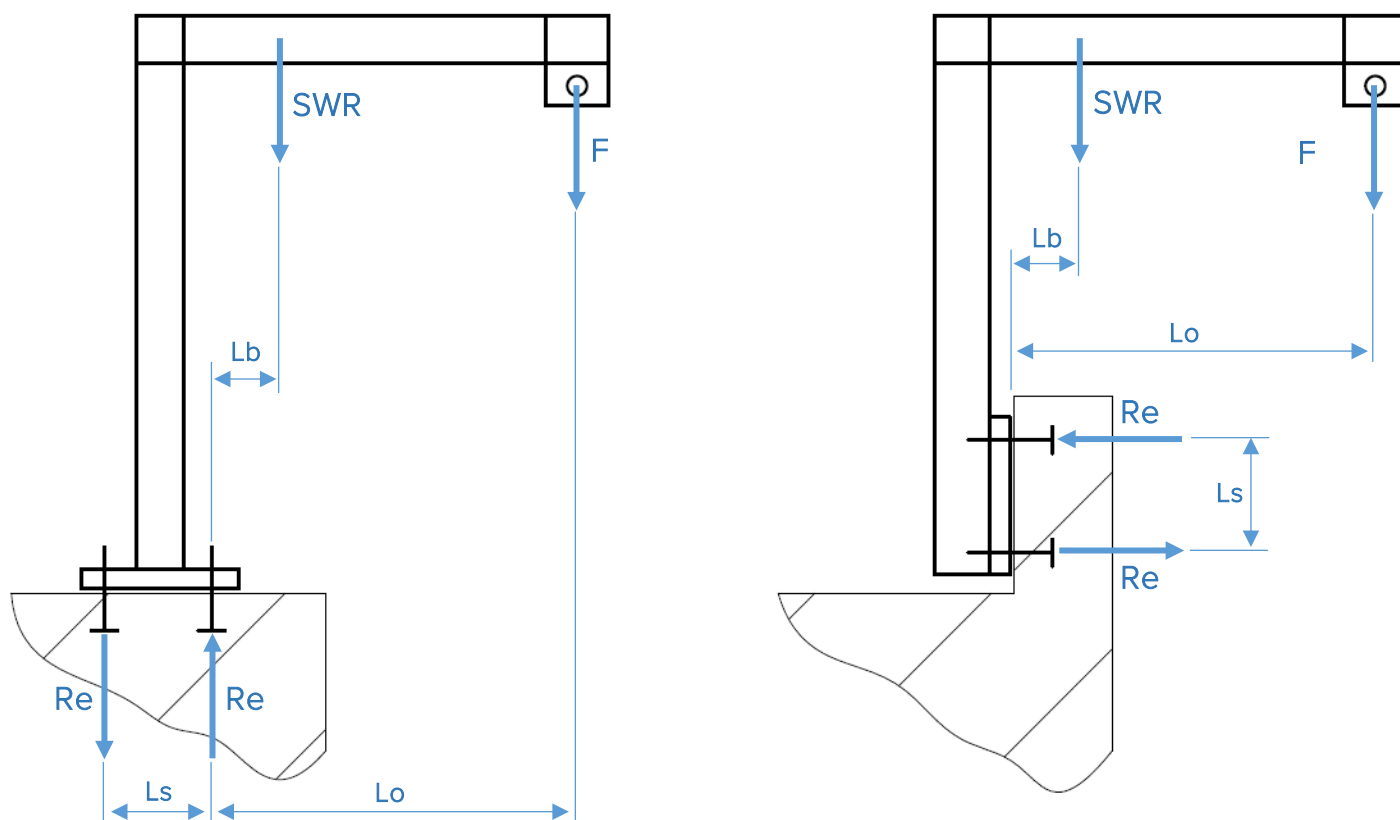
## 2. Nominal capacities

Using Case	Nominal capacity
1 user (rope access)	120 kg
Hoist (WLL)	240 kg

## 3. Anchorages calculation

Range	1560 mm		2300 mm	
	Post	Socket	Post	Socket
Interface				
F*	720 kg			
SWR : Self weight of the system	45kg	37kg	73kg	70kg
Lo: Length of outboard portion	1410mm	1350mm	2150mm	2090mm
Ls : Distance between bolts	300mm	228mm	300mm	228mm
Lb : Distance between the fulcrum and the point where SWR acts	63mm	122mm	205mm	176mm
Re : Reaction on the bolts	16,97 kN	21.36 kN	26kN	33.27kN

\*F - MAX CIĘŻAR ZAWIESZONY NA KOŃCU RAMIENIA



- Fallprotec recommends M16 chemical anchorages with a 125 mm penetration in a C25 quality concrete.
- Stability coefficient  $C_{wr} > 3$ .

Fig. 5 Diagram of the forces

The strength of the davits is checked in the workshop by applying a static load of 600kg for 3 minutes, no permanent deformation is observed.

# WYSIĘGNIK ELEWACYJNY DAVIT 2300mm

DOC069-UK-19.06.05

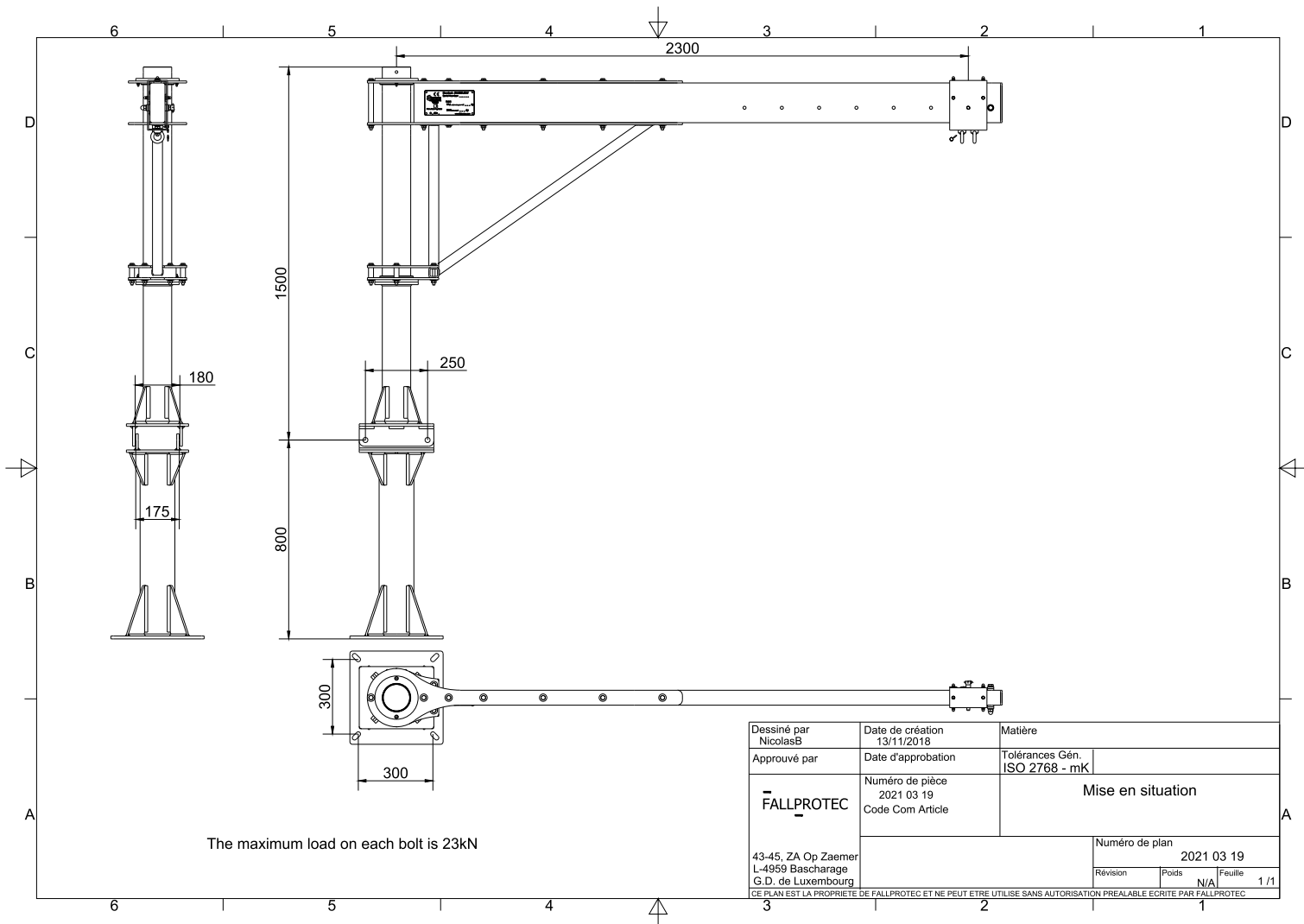
## FALLPROTEC

Height Safety Products

# Alpinex

FALL PROTECTION

Czerwiec 2019



Dessiné par NicolasB	Date de création 13/11/2018	Matière	
Approuvé par	Date d'approbation	Tolérances Gén. ISO 2768 - mK	
FALLPROTEC	Numéro de pièce 2021 03 19 Code Com Article	Mise en situation	
		Numéro de plan 2021 03 19	
43-45, ZA Op Zaemer L-4569 Bascharage G.D. de Luxembourg		Revision	Poids N/A
CE PLAN EST LA PROPRIÉTÉ DE FALLPROTEC ET NE PEUT ÊTRE UTILISÉ SANS AUTORISATION PRÉALABLE ÉCRITE PAR FALLPROTEC		Feuille	1/1

FALLPROTEC S.A.  
43 - 45 Op Zaemer  
L-4959 Bascharage  
Luxembourg

# FALLPROTEC

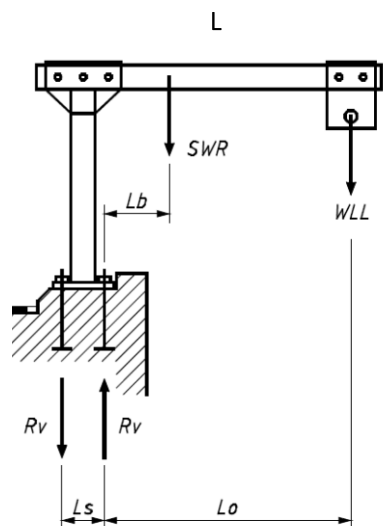
Height Safety Products

The manufacturer and person authorized to constitute this technical document:

Fallprotec SA.  
43-45 Op Zaemer  
L-4959 Bascharage

Christophe Timmermans  
Director

Declares that the Davit PXX-XXX-XX (unique project number here) Complies to the machinery directive N°2006/42/EC and is conform to the harmonized European standard EN1808:2015:



- Serial Number : xxxxxxxx
- L = 2300 mm.
- Ls = 300 mm
- Lo = 2150 mm
- SWR = 75 kg

Using Case	Nominal capacity
1 user (rope access)	120 kg
Hoist (WLL)	240 kg

The Davit is designed with required safety coefficients from the above mentioned standards and are safe to use.

The manufacturer FALLPROTEC SA offers a 5-year warranty on the suspension device.

Date: xxxxxxxxxxxx  
Bascharage, Luxembourg

Christophe Timmermans  
Director

FALLPROTEC SA  
43 - 45 Op Zaemer  
L-4959 Basch  
Tel. +352

**UWAGA:** NR SERYJNY I DATA NADAWANA PO WYPRODUKOWANIU WYSIĘGNIKA INDYWIDUALNA DLA KAŻDEGO EGZEMPLARZA  
GWARANCJA 5 LAT NA GNIAZDO, WYSIĘGNIK (KOMPLET) 5 LAT PRZY ZACHOWANIU COROCZNYCH PRZEGLĄDÓW



Fallprotec is a company certified according to the ISO 9001 standard for the design, manufacture and distribution of height access equipment.



# CERTIFICATE

The ESCEM asbl Certification Body hereby certifies that the company

**FALLPROTEC s.a.**

43-45 ZA Op Zaemer  
L - 4959 BASCHARAGE

has established and applies a quality management system  
for the scope

**Design, manufacturing and distribution of Fall Arrest Equipments and Height  
Access Equipments**

An audit was performed, report No 255  
Proof has been furnished that the requirements according to

**ISO 9001:2015**

are fulfilled.

The due date for all future audits is 28/11

The certificate is valid from 12/01/2018 until 11/01/2021

Certificate Registration No  
**900 255**

Esch-sur-Alzette, the 13/11/2017

Escem asbl, 1, Avenue des Terres Rouges  
L-4004 Esch-sur-Alzette



## 11. Expected life of the installation

All components of the davit are made of austenitic stainless steel or mild steel hot-dip galvanized and aluminium. These materials have a high resistance to atmospheric agents.

Lifetimes of 5 years for davits and sockets are guaranteed.

## 12. Warning plate

An identification plate is installed near to the zone where the users attach themselves to the arm.

Our web portal Fallprotec Assistant generates the plate. It can be printed on a sticker provided by Fallprotec (climate proof). The commissioning date must be on the warning plate.

Manufactured by:

**FALLPROTEC**

FALLPROTEC SA  
T: +352 26 55 09 30  
F: +352 26 55 09 30 55  
www.fallprotec.com

SecuRope EVO horizontal/inclined

EN795-C:2012  
TS16415:2013

Installed by:

COMPANY NAME

**DUMMY DEALER FALLPROTEC TE**

This is where the address comes nr. 1

Some Town

Luxembourg

+971 (6) 74 80 84 2

www.businessname.online

**BEYOND THIS AREA WEARING A  
HARNES AND SECURED BY A FALL  
ARREST SYSTEM ARE MANDATORY**

Company  
**Gecko Tech**

Number of users  
**1 x max. 100 kg**

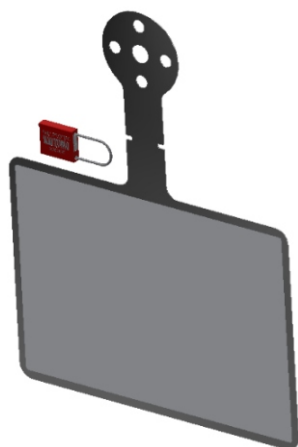
Installation date  
**2019-02-12**

Location  
**Project1**

Serial #  
**123453**

EN355

- ❶ Manufacturer informations and a QR code to get direct access to all the informations related to the installation
- ❷ Equipment type and applied standards.
- ❸ Logo and installer name
- ❹ Symbol indicating that it is mandatory to use a fallarrest harness according to EN355
- ❺ Maximal number of users and their weights
- ❻ Information about the installation place.
- ❼ Commissioning date
- ❽ It is mandatory to read the user manual before use.
- ❾ The serial number of the self-locking tag



The sticker will be fixed on a bendable plate. A self-locking Tag with a serial number has to be fixed on the plate